



# NEW! MAXIMATIC® 2- & 3-WAY VALVES

## Direct-Acting 2-Position Solenoid Valves



MME-2SDS-D024



MME-3PDS-D110

Maximatic® Direct-Acting Valves are single solenoid spring return poppet type valves available as either 2-way or 3-way configurations in ports sizes 1/8" NPT and 1/4" NPT. Hardware to stack multiple valves included with each stacking valve (MME-3SDS and MME-2SDS). Includes one long screw, one short screw, one gasket, and one nut.

**Flow:** 2.3 scfm @ 100 psig  
**Electrical Connection:** DIN connector with LED indicator ("-D"), or 18" Wire Lead ("-W")  
**Voltage:** 12-volt DC ("-012"), 24-volt DC ("-024"), 24-volt AC ("-24A"), 110-volt AC ("-110"), or 220-volt AC ("-220")  
**Power Consumption:** 6.5 Watt  
**Number of Ports:** 2 or 3  
**Mounting:** Body Ported or Stacking

**Medium:** Air (40 micron filtration), Inert Gas or Liquid  
**Operating Range:** Vacuum to 150 psig

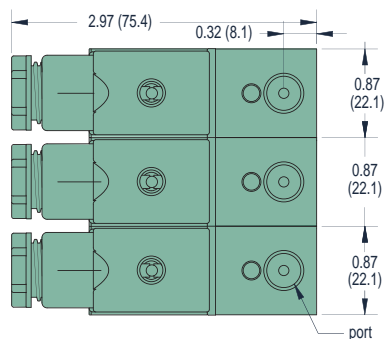
### Replacement Stacking Kit

Replacement Stacking Kits are available which include two long screws, two short screws, one gasket and two nuts.

#### Part No.

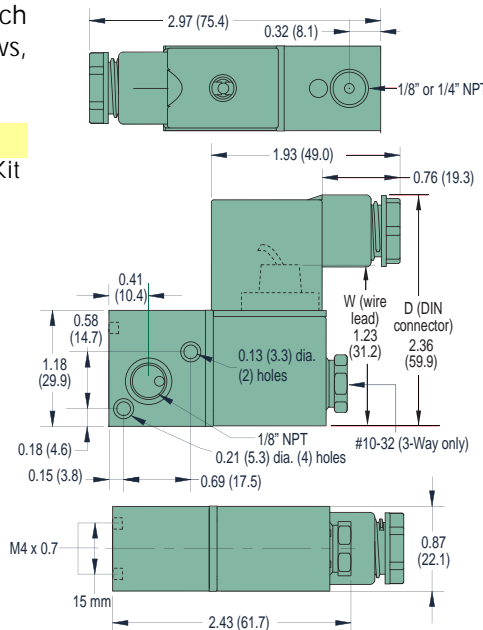
27048

Replacement Stacking Kit

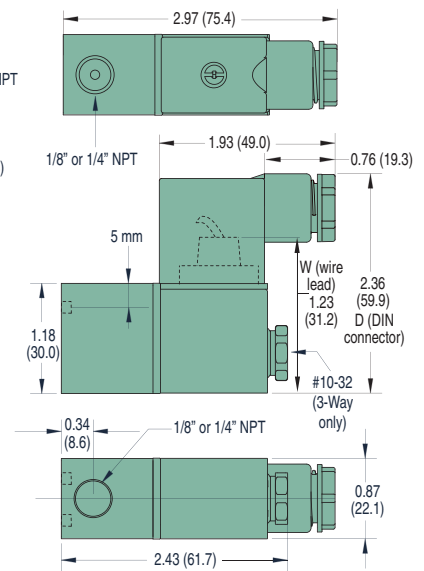


3-Station Configuration

### 2-Way & 3-Way Valves (Stacking)



### 2-Way & 3-Way Valves (non-Stacking)



2-Way Valves		Cv/scfm*	3-Way Valves		Inlet	Outlet	Exhaust	Cv/scfm*
MME-2PDS-	A	0.12/6.7	MME-3PDS-	A	1/8" NPT	1/8" NPT	#10-32	0.05/2.3
MME-2SDS-**	W	0.12/6.7	MME-3SDS-**	W	1/8" NPT	1/8" NPT	#10-32	0.05/2.3
MME-2QDS-	P	0.12/6.7	MME-3QDS-	P E	1/4" NPT	1/4" NPT	#10-32	0.05/2.3

\*\* Stacking Valve

\* scfm based on flow @ 100 psig

Add Electrical Connection and Voltage Choices to the end of each Base Part Number - Example: **MME-2QDS-W220**